

HMF 1643-Z



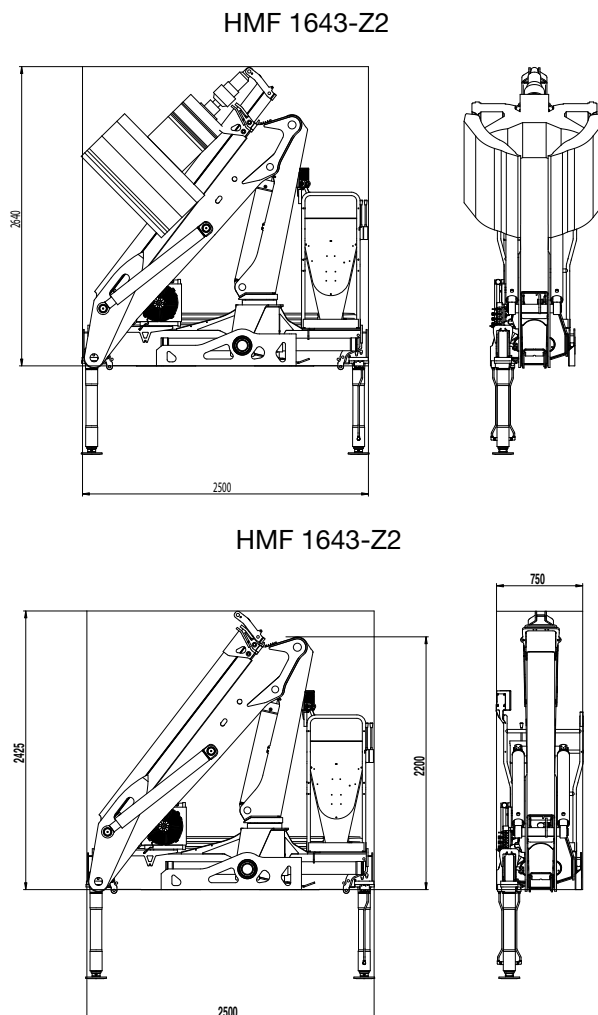
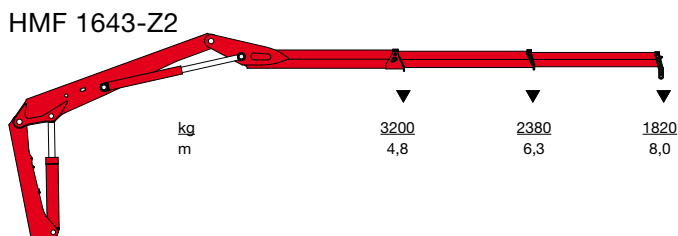
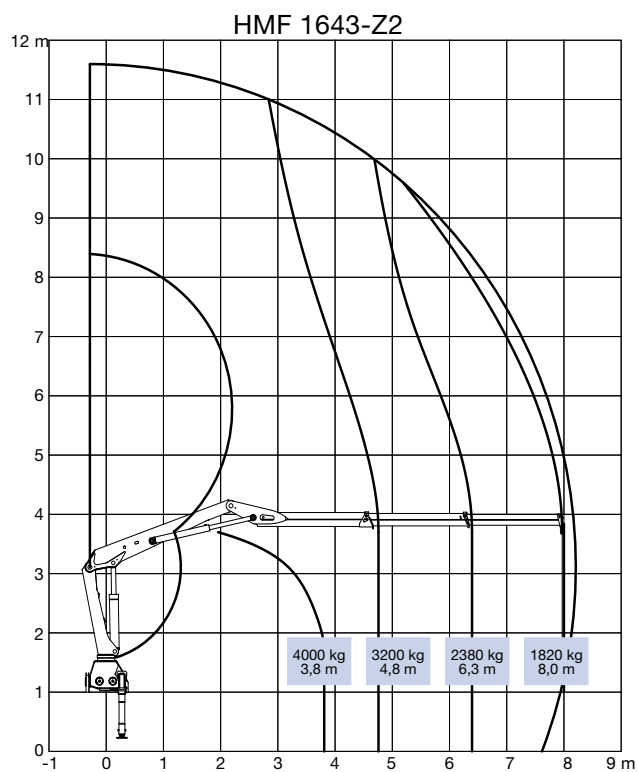
- power to lift.

HMF Grab Loader 1643-Z

Strong and sturdy Grab Loader in Loading Group B3

- A strong design ensures a longer life span.
- Modern design offering very compact installation with long reach.
- Low tare weight offering improved vehicle payload.
- Compact design that ensures minimum space requirements.
- Particularly high working speed.
- Foldable with grab and rotator.
- Single or dual circuit hydraulics.
- Efficient protection of hydraulic hoses.
- Stand-up platform with manual operation or radio remote control.
- Available with top seat as an optional extra.

Loading group B3	1643-Z2	
Load moment	tm	15.4
Hydraulic reach	m	8.2
Slewing torque	kgm	2400
Slewing angle	°	400
Height above chassis	mm	2427
Height above chassis, parked in body min.	mm	2200
Width, folded	mm	2500
Length incl. extra valves	mm	750
Stabilizer spread, standard	mm	3500
Stabilizer spread, double extension	mm	4600
Weight excl. stabilizers	kg	1740
Weight of stabilizers, standard	kg	210
Working pressure	MPa	31.0
Pump performance	l/min	1x50/2x40
Power consumption	kW	26 / 42
Oil tank capacity, separate tank	l	90-160



Z009012-6

We reserve the right to introduce improvements and modifications



Højbjerg Maskinfabrik A/S • Oddervej 200 • DK-8270 Højbjerg
Tel.: +45 8627 0800 • Fax: +45 8627 0744 • info@hmf.dk

www.hmf.dk